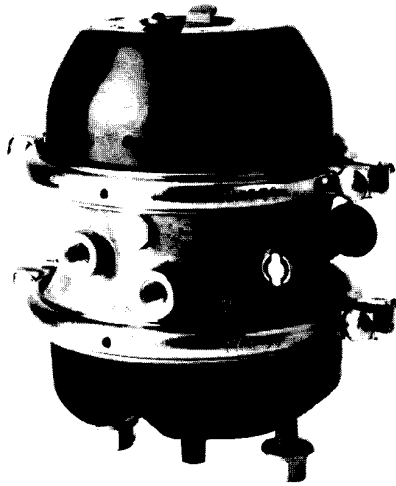


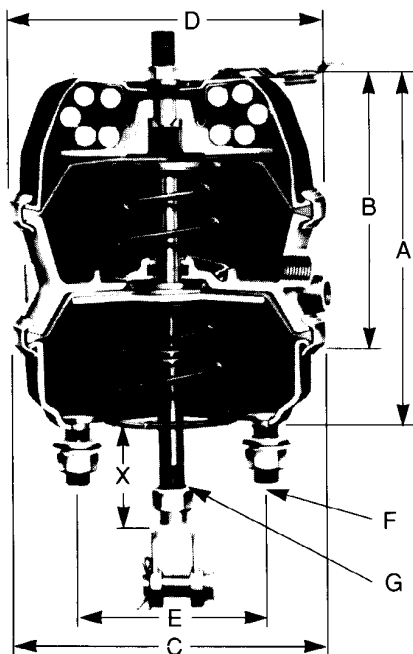
# Barry Stoodley Pty Ltd

## Boosters



PART NO	SIZE
WM 3127051	2424 LW
WM 3129051	2430 LW
WM 3430050	3030 TRW
WM 3436051	3636 TC

	Features	Benefits
<b>Advanced Design</b>	Stroke Alert Indicator	Highly-visible orange band on the service piston rod quickly indicates when brake service may be required
<b>Durability</b>	Epoxy-coated steel power spring chamber Epoxy-coated power spring 360 aluminum alloy center case Epoxy-coated non-pressure chamber	Long-life corrosion protection
<b>Security &amp; Convenience</b>	Self-retained end cap Extra-strength mounting hardware with self-locking fasteners Side mounted release tool storage pocket	Permanently attached to prevent loss Dependable installation Easily accessible
<b>Superior Engineered Materials</b>	Polymer push rod guides Molded neoprene push rod air seal	Strong, durable materials lubricate and wear longer Protects against air leaks, and retains lubricants for extended operating longevity
<b>Performance &amp; Reliability</b>	Patented low-friction piston and guide Lifetime lubricants Heavy-duty nylon-reinforced diaphragms	Maintains high-efficiency and smoother operation through proper alignment Critical for life-long brake performance Cold-weather blend formulated to last



Model	E	E	E	E	TR
<b>Size</b>	2024	2424L	2430L	3030	3636
<b>Stroke</b>	2.25	2.50	2.50	2.50	3.00
<b>Combination Weight (Lbs.)</b>	16.50	16.70	18.80	20.00	30.80
<b>Single Weight (Lbs.)</b>	10.10	10.30	12.50	12.50	20.20
<b>A*</b>	8.33	8.46	8.98	9.00	11.09
<b>B</b>	6.19	6.31	6.83	6.65	8.35
<b>C</b>	6.92	7.34	7.34	8.19	9.25
<b>D</b>	7.34	7.34	8.19	8.19	9.56
<b>E</b>	4.75				
<b>F</b>	5/8" - 11UNC				
<b>G</b>	5/8" - 18UNF				
<b>Inlets</b>	3/8" - NPTF				
<b>X</b>	8.00 **				

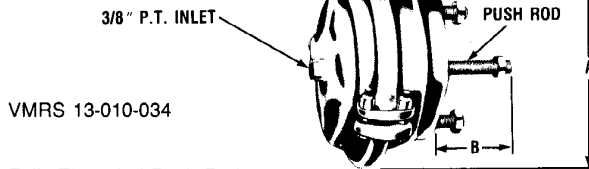
NOTE: (\*) All dimensions shown in inches and are subject to design change.

(\*\*) Long length (12.00" and 18.00") for transit bus installations also available. Refer to information on bottom of Page-3.

# Barry Stoodley Pty Ltd

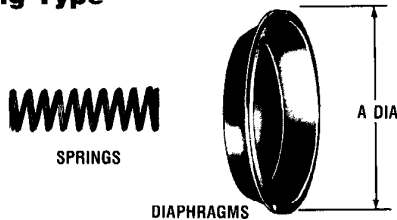
## ACTUATORS

### Brake Chambers



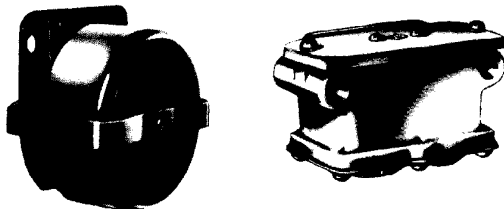
Brake Chamber Type	Standard w/Locknut—Less Yoke Pc. No.	Weatherproof w/Boot w/Locknut—Less Yoke Pc. No.	A Overall Diameter	B Push Rod Length	Push Rod Thd.
9	W - 1409001	288791	5-1/4"	12"	1/2-20
12	W - 1412001	288798	5-5/8"	10-1/2"	1/2-20
16	W - 1416001	288801	6-1/2"	9"	1/2-20
20	W - 1420001	288806	6-3/4"	10-1/2"	5/8-18
24	W - 1427001	288812	7-3/8"	11"	5/8-18
30	W - 1430001	288817	8-1/4"	13-3/8"	5/8-18
36	W - 1436001	288820	9-1/16"	12"	5/8-18

### Brake Chamber Diaphragms & Springs Clamp Ring Type



Brake Chamber Type	Diaphragm Material and Size			Spring Pc. No.
	Rubber	Neoprene	A Dia.	
9	234433	236663	5"	234435
12	234226	236664	5-15/32"	234229
16	234189	236665	6-13/64"	234192
20	234099	236666	5-19/32"	234129
24	234100	236667	7"	234130
30	234101	236668	7-7/8"	234131
36	234362	236669	8-11/16"	234365

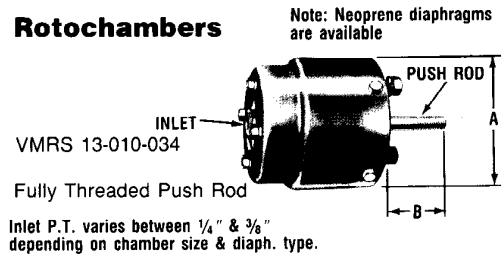
### Air Strainers



Air Strainer Kit Pc. No.	Air Strainer	Air Strainer Kit Pc. No.	Air Strainer
278500	279901	227785	226469

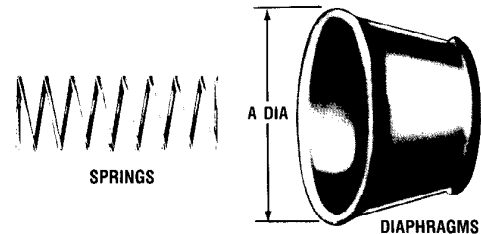
Kit includes air strainer & hardware.  
Can not be used on a TF-300 Compressor.

### Rotochambers



Roto Type	Weatherproof—w/Boot & Rubber Diaphragm Less Nut—Less Yoke	A Overall Diameter	B Push Rod Length	Push Rod Thd.
9	229814	4-3/4"	13"	1/2-20
12	229815	5-9/32"	11"	1/2-20
16	229816	5-7/8"	7-7/8"	1/2-20
20	229817	6-13/32"	6-7/8"	1/2-20
24	229818	6-15/16"	5-13/16"	1/2-20
30	229819	7-17/32"	9-1/16"	5/8-18
36	229820	8-5/32"	8-1/16"	5/8-18
50	229821	9-13/32"	10-15/16"	3/4-16

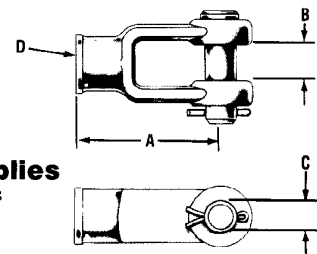
### Rotochamber Diaphragms & Springs



Rotochamber Type	Diaphragm Material and Size			Spring Pc. No.
	Rubber	Neoprene	A Dia.	
9	231472	236524	4-5/16"	231481
12	231506	236525	4-27/32"	231513
16	231525	236526	5-7/16"	231531
20	231928	236527	5-31/32"	231933
24	231516	236528	6-7/16"	231522
30	231543	236529	7-3/32"	231549
36	231534	236530	7-21/32"	231540
50	231491	236531	8-29/32"	231498

### Yoke Assemblies

For Brake Chambers & Rotochambers  
VMRS 13-004-018



Yoke Assembly Pc. No.	A End to Pin	B Slot Width	C Pin Dia.	D Thread Size
205948	1-3/4"	9/16"	1/2"	1/2-20
228790	1-3/4"	9/16"	1/2"	5/8-18
228798	1-3/4"	9/16"	5/8"	5/8-18
229496	1-7/8"	13/16"	3/4"	5/8-18
282592	2"	13/16"	3/4"	3/4-16

# Barry Stoodley Pty Ltd

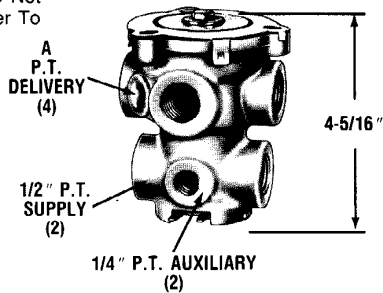
## BRAKE VALVES

### E-2 Brake Valve (Basic)

- Available Remanufactured Exchange
- Maintenance Kits
  - Pc. No. 276119 Minor Repair
  - Pc. No. 289324 Major Repair

Treadle and Mounting Plate Not Furnished. If Required, Refer To Master Parts Catalog

VMRS 13-010-019



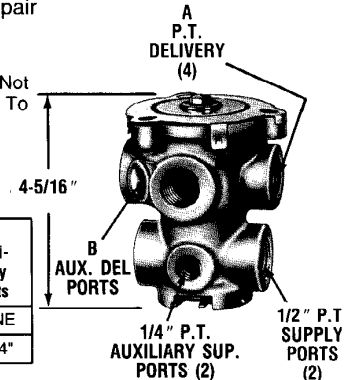
Basic E-2 Pc. No.	A Pipe Thread (Delivery)
229500	3/8"
229501	1/2"

### E-3 Brake Valve (Basic)

- Available Remanufactured Exchange
- Maintenance Kits
  - Pc. No. 276119 Minor Repair
  - Pc. No. 289329 Major Repair

Treadle and Mounting Plate Not Furnished. If Required Refer To Master Parts Catalog.

VMRS 13-010-019



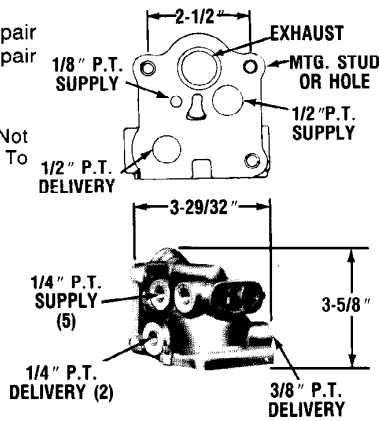
Basic E-3 Pc. No.	A Pipe Thread (Delivery)	B Auxiliary Ports
277863	1/2"	NONE
278998	1/2"	2-1/4"

### E-5 Brake Valve (Basic)

- Available Remanufactured Exchange
- Maintenance Kits
  - Pc. No. 281084 Minor Repair
  - Pc. No. 289334 Major Repair

Pedal and Mounting Plate Not Furnished. If Required Refer To Master Parts Catalog.

VMRS 13-010-019



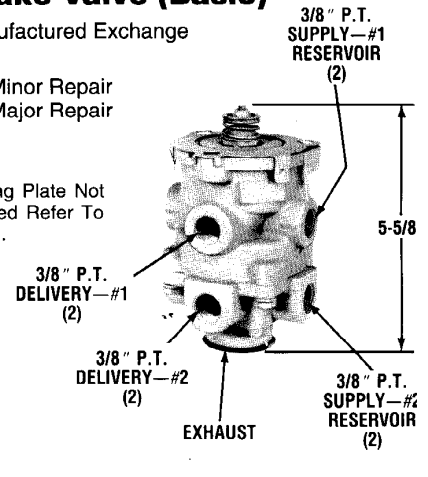
BASIC E-5 PC. NO.
279950

### E-6 Dual Brake Valve (Basic)

- Available Remanufactured Exchange
- Maintenance Kits
  - Pc. No. 287368 Minor Repair
  - Pc. No. 289335 Major Repair

Treadle and Mounting Plate Not Furnished. If Required Refer To Master Parts Catalog.

VMRS 13-010-051



BASIC E-6 PC. NO.
286171
289089

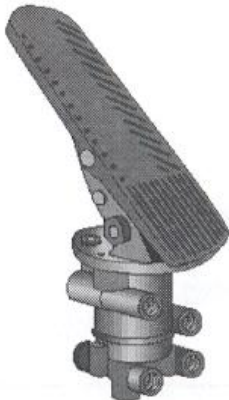
### E-12 Dual Brake Valve (Basic)

- VMRS 13-010-051

Maintenance Kits

KIT	BENDIX DYNAMARK LOCATION	
	A	B
Minor	108367	106689
Major	108368	106690

BASIC E-12 PC. NO.
108377



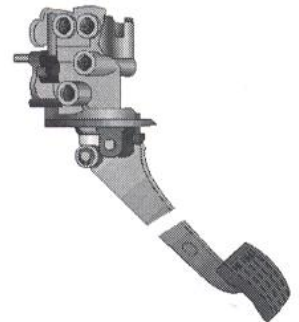
\*Treadle and mounting plate not furnished. If required refer to Master Parts Catalog.

### E-14 Dual Brake Valve (Basic)

- Maintenance Kits
  - Pc. No. 108367 Minor
  - Pc. No. 108368 Major

VMRS 13-010-051

\*Pedal and Mounting Plate Not Furnished. If Required Refer To Master Parts Catalog.



BASIC E-14 PC. NO.	COMMENTS
065314	—
065317	Exhaust Port Threaded
065395	Used with Manifold

# Barry Stoodley Pty Ltd

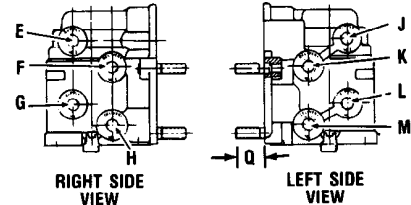
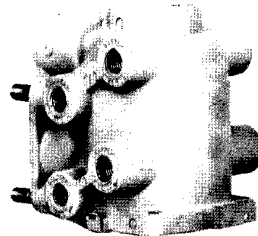
## BRAKE VALVES

### E-7 Dual Brake Valve (Basic)

- Available Remanufactured Exchange
- Maintenance Kits  
Pc. No. 289352 Minor Repair  
Pc. No. 289353 Major Repair

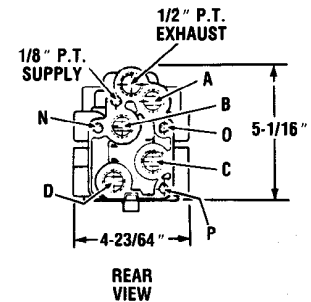
Pedal and Mounting Plate Not Furnished. If Required Refer To Master Parts Catalog.

VMRS 13-010-051



Basic E-7 Pc. No.	Port Thread Sizes & Locations												Mtg. Studs in Positions "N", "O", "P" Above	Stud Length Q	Stud Thread Size	
	A	B	C	D	E	F	G	H	J	K	L	M				
†284760	No Thd	No Thd	No Thd	No Thd	1/4	—	1/4	—	—	—	—	—	—	No	—	—
286773	1/2	1/2	1/2	1/2	1/4	1/4	1/4	1/4	1/4	1/4	1/4	1/4	1/4	Yes	1-1/2	3/8-24
286775	1/2	1/2	1/2	1/2	1/4	1/4	1/4	1/4	1/4	1/4	1/4	1/4	1/4	Yes	3/4	3/8-16
287411	1/2	1/2	1/2	1/2	1/4	1/4	1/4	1/4	3/8	3/8	3/8	3/8	3/8	No	—	—
*287564	1/2	1/2	1/2	1/2	1/4	3/8	1/4	3/8	1/4	1/4	1/4	1/4	1/4	Yes	15/16	3/8-16
*288383	1/2	1/2	1/2	1/2	1/4	1/4	1/4	1/4	1/4	1/4	1/4	1/4	1/4	No	—	—

† Ford Basic Valve Kit: INCLUDES BASIC VALVE,  
(2) - 293561 - SEALING RINGS (6) - 247298 - SEALING RINGS  
(2) - 247227 - SEALING RINGS  
\* EXHAUST PORT CONTAINS DIAPHRAGM

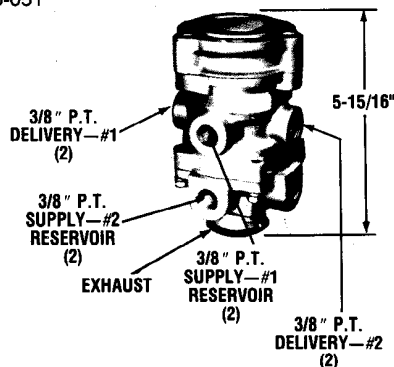


### E-10 Dual Brake Valve (Basic)

- Maintenance Kit  
Pc. No. 102100

Treadle and Mounting Plate Not Furnished. If Required Refer To Master Parts Catalog.

VMRS 13-010-051



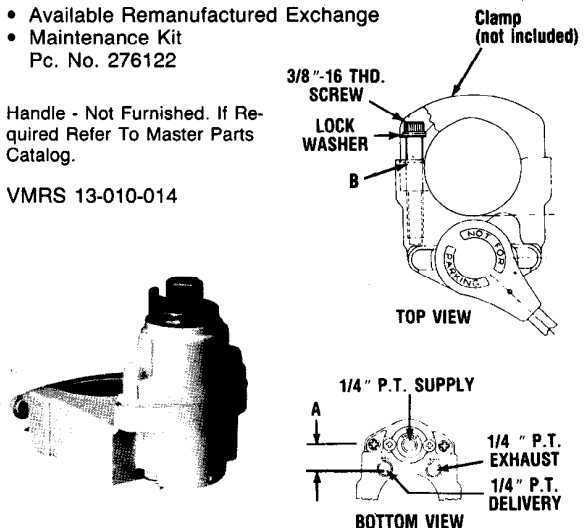
BASIC E-10 PC. NO.
101100

### TC-2 Brake Valve (Basic)

- Available Remanufactured Exchange
- Maintenance Kit  
Pc. No. 276122

Handle - Not Furnished. If Required Refer To Master Parts Catalog.

VMRS 13-010-014



Basic TC-2 Pc. No.	Grad-Range P.S.I.	Fits Steering Column Diameters	A Dim.	Clamp Ring Thd. Size B
276270	5 to 80	1-3/4" to 2-1/4"	2-1/16"	3/8" THD
276272	5 to 80	—	31/32"	3/8" THD
277765	5 to 80	—	31/32"	25/64"
229666	5 to 80	—	—	—

# Barry Stoodley Pty Ltd

## BRAKE VALVES

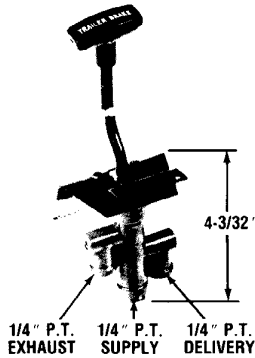
### TC-6 Brake Valve

- Maintenance Kit  
Pc. No. 289890

VMRS 13-010-159

Mounting Plate Not Furnished. If Required Refer To Master Parts Catalog.

Service Replacement TC-6 Pc. No.
101786



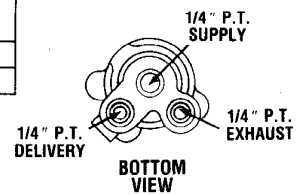
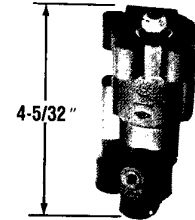
### TC-7 Brake Valve

- Maintenance Kit  
Pc. No. 102145

VMRS 13-010-159

Handle and Mounting Bracket Not Furnished. If Required Refer To Master Parts Catalog.

Basic TC-7 Valve Pc. No.	Remarks
102388	Positioning
102394	Self returning



## Bendix Inversion Valves

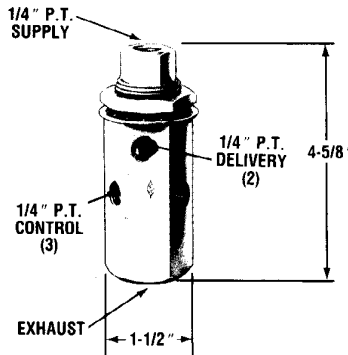
### TR-2 Inversion Valve

- Available Remanufactured Exchange
- Maintenance Kit 281138

VMRS 13-010-047

TR-2 PC. NO.
277340

NOTE: With 125 P.S.I. supply pressure valve must begin to exhaust at 65 P.S.I. nominal ascending control pressure. Valve must deliver full supply pressure with 40 P.S.I. nominal descending control pressure.



### TR-3 Inversion Valve

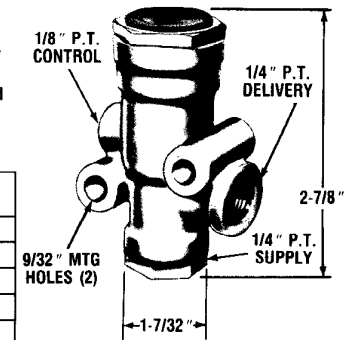
- Available Remanufactured Exchange

VMRS 13-010-047

NOTE: With common control & supply pressure inlet opens at "A" P.S.I. descending pressure and exhaust opens at "B" P.S.I. ascending pressure.

TR-3 Pc. No.	A PSI	B PSI
280758	45	60
281318	35	70
281459	25	40
288586	75	90
*101450	25	40

\* Special Duty-Bus Application



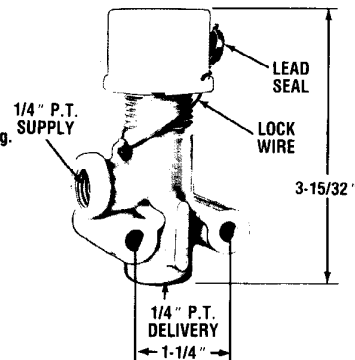
## Bendix Pressure Protection Valves

### PR-2 Pressure Protection Valve

VMRS 13-010-044

With Adjustable Pressure Setting.

PR-2 Pc. No.	Nominal Closing Pressure P.S.I.
277147	65
277148	85
277226	60
277227	75



### PR-4 Pressure Protection Valve

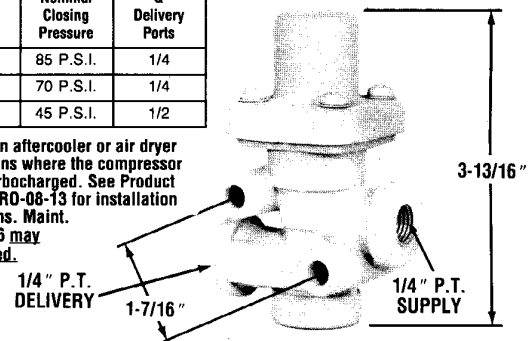
- Maintenance Kit 287366 (Note: Not for use with 103976)

VMRS 13-010-044

Fixed Pressure Setting.

PR-4 Pc. No.	Nominal Closing Pressure	Supply & Delivery Ports
286500	85 P.S.I.	1/4
288323	70 P.S.I.	1/4
*103976	45 P.S.I.	1/2

\*For use in aftercooler or air dryer installations where the compressor inlet is turbocharged. See Product Bulletin PRO-08-13 for installation instructions. Maint. Kit 287366 may not be used.

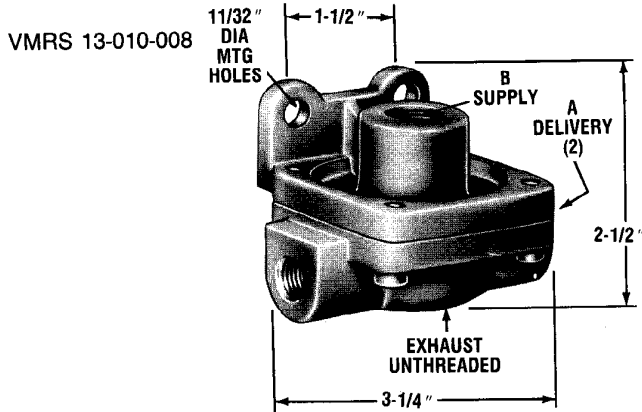


# Barry Stoodley Pty Ltd

## QUICK RELEASE VALVES

### QR-1 Quick Release Valve

- Available Remanufactured Exchange



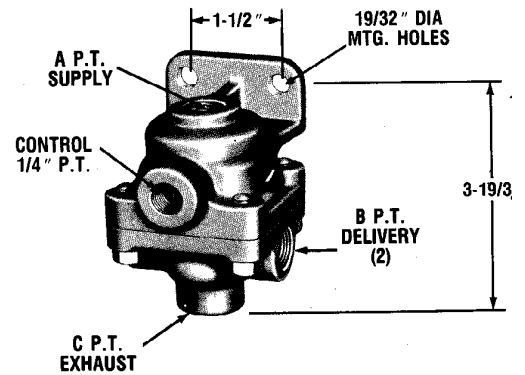
QR-1 Pc. No.	Port P.T. Size		Crack Press.
	A	B	
229813	1/4"	3/8"	1 PSI
229844	1/4"	1/2"	1 PSI
283251	3/8"	3/8"	1 PSI
101487	3/8"	1/2"	1 PSI
281024	1/4"	1/4"	1 PSI
288251	3/8"	3/8"	1 PSI
278483	3/8"	1/2"	5-8 PSI
102344	3/8"	3/8"	10-16 PSI

KX1294/1 M22 M16 Metric (V&S)

### LQ-2 Limiting and Quick Release Valve

- Available Remanufactured Exchange
- Maintenance Kit 282098

VMRS 13-010-008



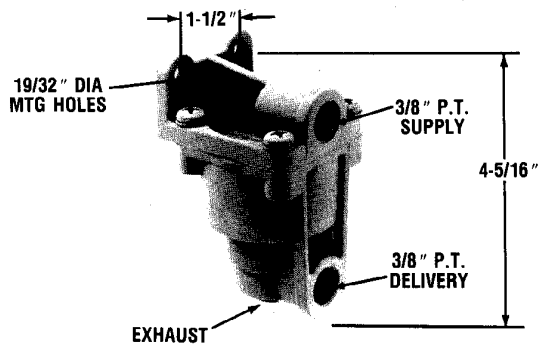
LQ-2 Pc. No.	A Pipe Thread	B Pipe Thread	C Pipe Thread
229505	3/8"	3/8"	—
229507	1/2"	1/4"	—
229509	3/8"	1/4"	—
288417	3/8"	3/8"	3/8"

### LQ-4 Front Axle Ratio Valve

- Available Remanufactured Exchange
- Maintenance Kit 289500

VMRS 13-010-034

LQ-4 Pc. No.	Nominal Hold Off Pressure	Nominal Equalizing Pressure
101311	20	70
289144	4	60
289148	10	65



# Barry Stoodley Pty Ltd

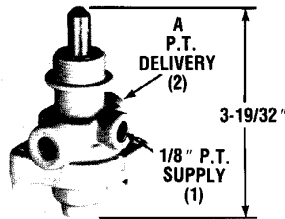
## CONTROL VALVES

### PP-1 Control Valve

- Maintenance Kit 281126
- Button and Mtg. Nut not Furnished with Exchange Valve, Roll Pin Furnished
- Refer to Master Parts Catalog for Button or Dial Plate Pc. No.

VMRS 13-010-016

Basic PP-1 Pc. No.	Automatic Release Pressure	A PT
276566	20 PSI	1/8"
276567	40 PSI	1/8"
278450	—	1/8"
*281587	40 PSI	1/8"
287417	30 PSI	1/4"
287600	40 PSI	1/4"
275176	40 PSI	—



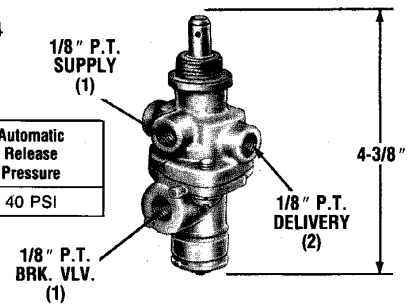
\* Remote controlled

### PP-2 Control Valve (Pressure Balanced)

- Maintenance Kit 281127
- Button and Mtg. Nut not Furnished with Exchange Valve, Roll Pin Furnished
- Refer to Master Parts Catalog for Button or Dial Plate Pc. No.

VMRS 13-010-104

Basic PP-2 Pc. No.	Automatic Release Pressure
276462	40 PSI

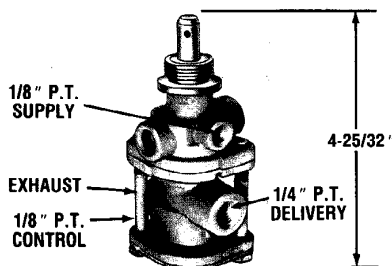


### PP-7 Trailer Supply Valve

- Maintenance Kit 287367
- Button and Mtg. Nut not Furnished with Exchange Valve, Roll Pin Furnished
- Refer to Master Parts Catalog for Button or Dial Plate Pc. No.

VMRS 13-010-016

**AUTOMATIC RELEASE PRESSURE 40 PSI**



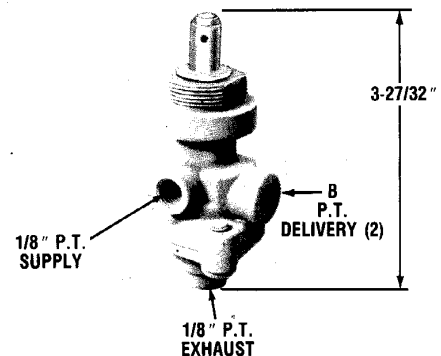
Basic PP-7 Pc. No.	Threaded Exhaust Port
288721	—
106113	1/4"
* 288242	—

\* Remote Controlled

### PP-8 Control Valve

- Button and Mtg. Nut not Furnished with Exchange Valve, Roll Pin Furnished
- Refer to Master Parts Catalog for Button or Dial Plate Pc. No.

VMRS 13-010-104



Basic PP-8 Pc. No.	B P.T.
287238	1/8"
287418	1/4"

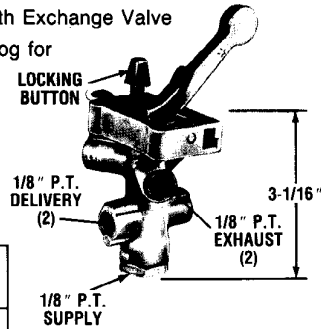
# Barry Stoodley Pty Ltd

## CONTROL VALVES

### TC-4 Modulating Control Valve (With Lever Latch)

- Available Remanufactured Exchange
- Dial Plate Not Furnished with Exchange Valve
- Refer to Master Parts Catalog for Dial Plate Pc. No.

VMRS 13-010-104



Basic TC-4 (With Lever Latch) Pc. No.	Locking Button Position	Delivery Pressure P.S.I.
282368	LEFT	86-100
282381	RIGHT	86-100
282382	-	-

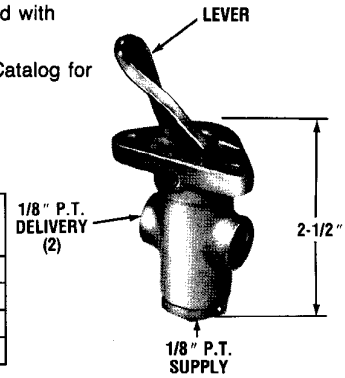
### TW-1 Control Valve

- Available Remanufactured Exchange
- Dial Plate Not Furnished with Exchange Valve
- Refer to Master Parts Catalog for Dial Plate Pc. No.

VMRS 13-016-016

Basic TW-1 Pc. No.	Lever Mat'l and Finish
228729	Zinc-Chrome
229635	Steel-Chrome
277516	Nylon-Black
*280439	Zinc-Chrome

\*Reversed lever



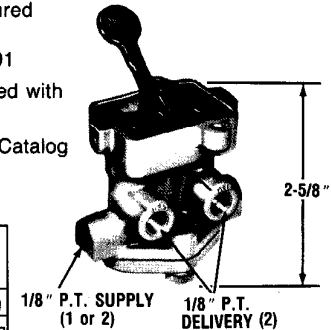
### TW-2 & TH-3 Control Valve

(TW-2 Two Lever Positions)

(TH-3 Three Lever Positions)

- Available Remanufactured Exchange
- Maintenance Kit 282391
- Dial Plate Not Furnished with Exchange Valve
- Refer to Master Parts Catalog for Dial Plate Pc. No.

Basic TW-2 Pc. No.	Basic TH-3 Pc. No.	Lever
280905	280904	Centering
	281560	Positioning



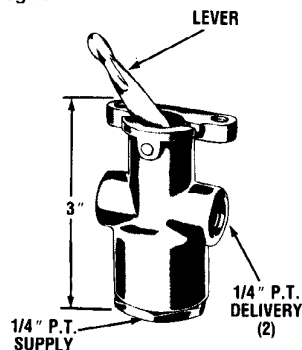
### TW-3 Control Valve

- Available Remanufactured Exchange
- Dial Plate Not Furnished with Exchange Valve
- Refer to Master Parts Catalog for Dial Plate Pc. No.

VMRS 13-010-016

TW-3 Serv./Reman. Pc. No.	Lever Mat'l.
*225892	ZINC
*228762	STEEL
283040	STEEL

\* Vacuum Control

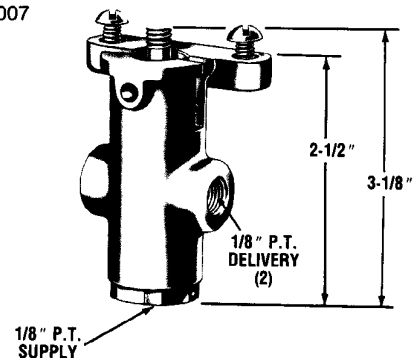


### TW-4 Control Valve

- Available Remanufactured Exchange
- Refer to Master Parts Catalog for Button Pc. No.

VMRS 32-004-007

Basic TW-4 Pc. No.
276635





# Barry Stoodley Pty Ltd

## RELAY VALVES

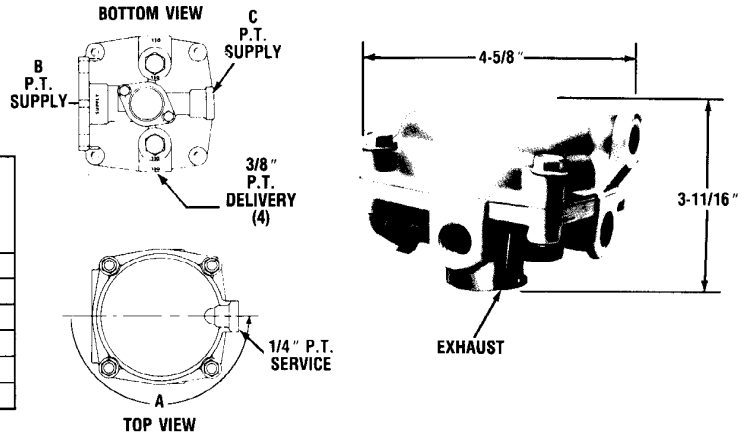
### R-6 Relay Valve

- Maintenance Kit 280856

VMRS 13-010-009

R-6 Basic Relay Valve Pc. No.	A Degrees Service Port Angle	B P.T.	C P.T.	Crack Press. P.S.I.
279180	180	—	3/8"	2
279952	180	3/4"	3/8"	2
280243	180	—	3/8"	10
280375	90	—	1/2"	2
280651	180	3/4"	3/8"	2
283086	270	3/8"	3/8"	2

\*Pipe Plugs & Gasket Attached



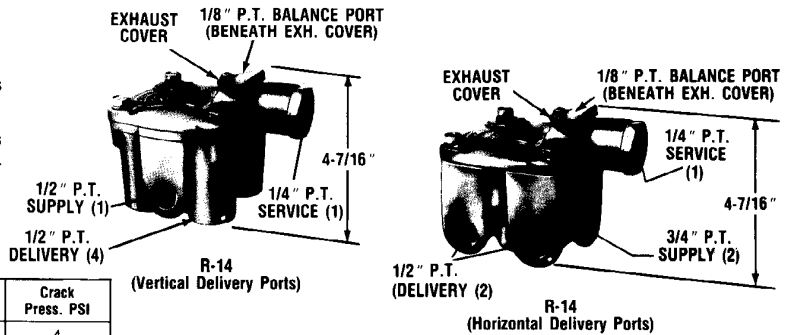
### R-14 Relay Valves

- Field Maintenance Kit for R-12 & R-14 is Pc. No. 102802
- All Universal R-12 and R-14 Relay Valves Include Installation Instructions and Universal Mounting Bracket 296010

VMRS-13-010-009

R-14 Horizontal Pc. No.	Crack Press. PSI
103010	4
103139	10
103294	5.5
103835	7.5
104345	5.0

R-14 Vertical Pc. No.	Crack Press. PSI
103028	4
103833	7.5
106313	5.5

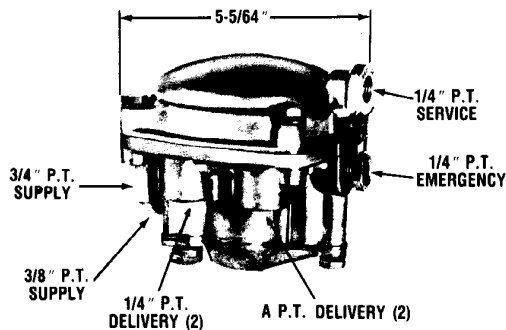


### RE-6 Relay Emergency Valve

- Maintenance Kits:  
282812 Complete Valve  
282813 Insert Only

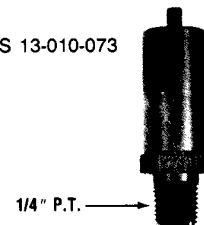
VMRS 13-010-037

RE-6 Basic Valve Pc. No.	A P.T. Delivery
101197	3/8"
KY1001-3	3/8"



### Bondix Safety Valves ST-3 Safety Valve

VMRS 13-010-073



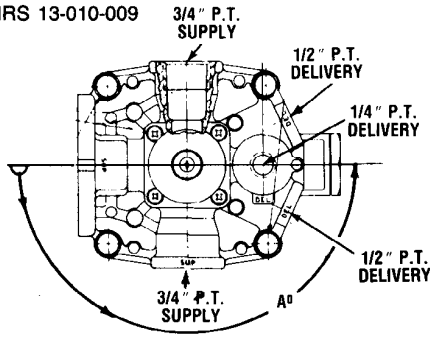
ST-3 Pc. No.	Pressure Setting
284142	150 P.S.I.

# Barry Stoodley Pty Ltd

## RELAY VALVES

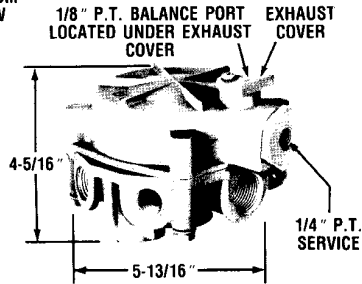
### R-8 Relay Valve

- Maintenance Kit 287370  
VMRS 13-010-009



R-8 Relay Valve Pc. No.	A Service Port Location (Degree)
288221	90
* 286371	90

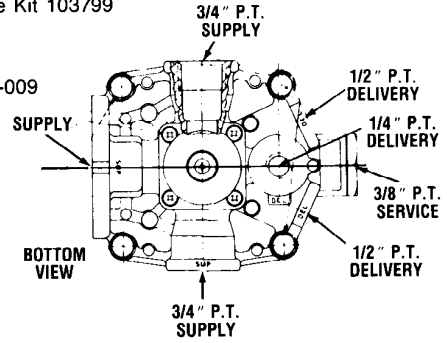
\* No Exhaust Cover



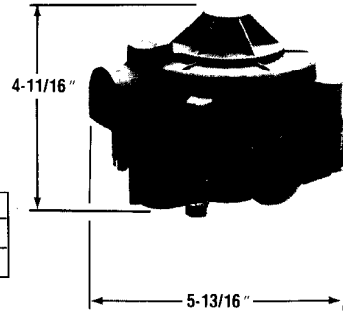
### R-8P Relay Valve

- Maintenance Kit 103799

VMRS 13-010-009



R-8P Pc. No.
287114 M
107445



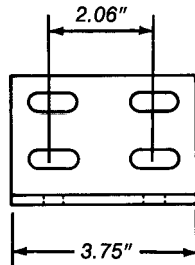
### R-12 Relay Valves

- Field Maintenance Kit for R-12 & R-14 is Pc. No. 102802
- All Universal R-12 and R-14 Relay Valves Include Installation Instructions and Universal Mounting Bracket 296010

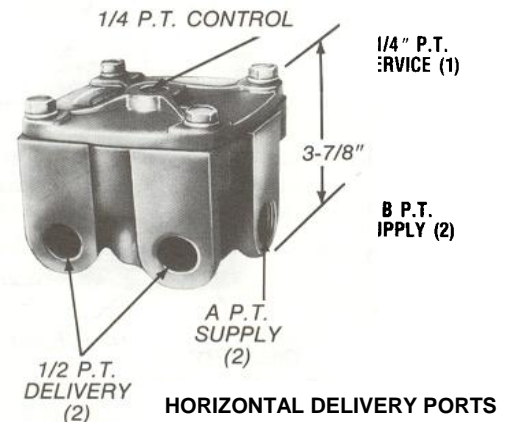
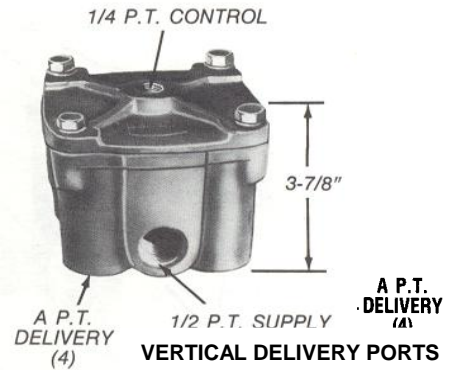
VMRS-010-009

R-12 Vertical Pc. No.	Crack Press. PSI	A Delivery Port Size
102626	4	1/2"
102277	-	ADR

R-12 Horizontal Pc. No.	Crack Press. PSI	B Delivery Port Size
103009	4	3/4"
103065	7.5	3/4"



PC. NO. 296010 (UNIVERSAL)

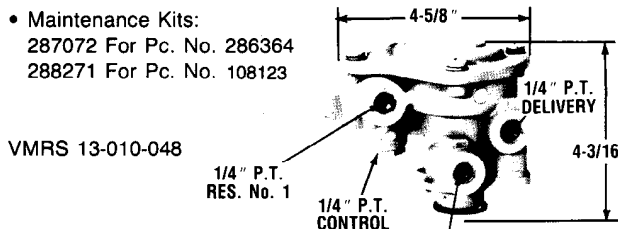


# Barry Stoodley Pty Ltd

## SPRING BRAKE VALVES

### SR-1 Spring Brake Valve

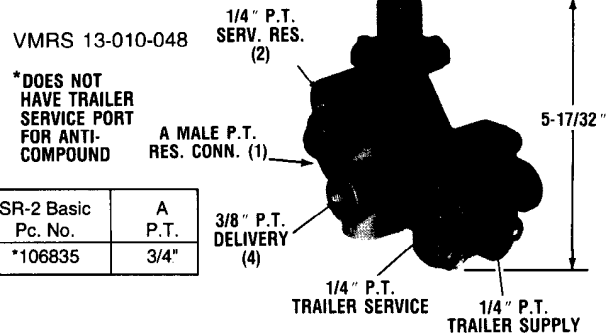
- Available Remanufactured Exchange
- Maintenance Kits:  
287072 For Pc. No. 286364  
288271 For Pc. No. 108123



SR-1 Basic Pc. No.	Cust. Ident.	Reservoir Trip Press.
286364	NONE	55 PSI
288063	IHC-459271-C92	30 PSI

### SR-2 Trailer Spring Brake Valve

- Available Remanufactured Exchange
- Maintenance Kit 287691

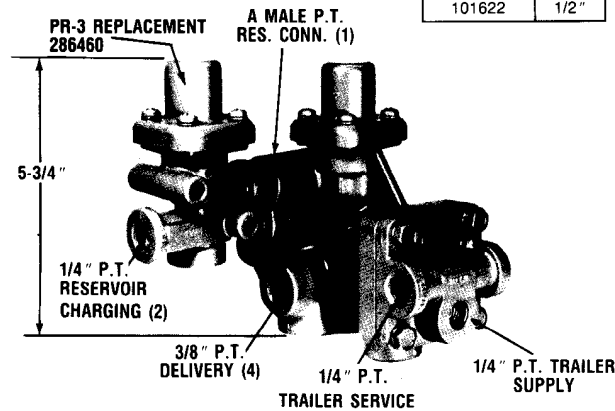


SR-2 Basic Pc. No.	A P.T.
*106835	3/4"

### SR-4 Trailer Spring Brake Valve

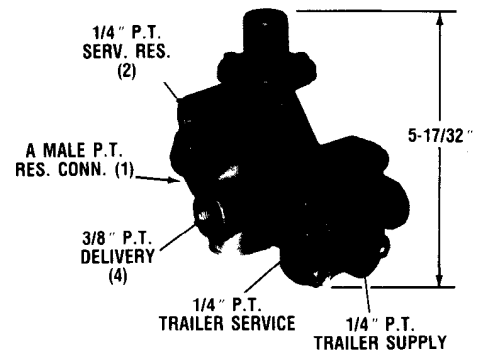
- Available Remanufactured Exchange
  - Maintenance Kit 102048
- VMRS 13-010-048

SR-4 Basic Pc. No.	A P.T.
101112	3/4"
101622	1/2"



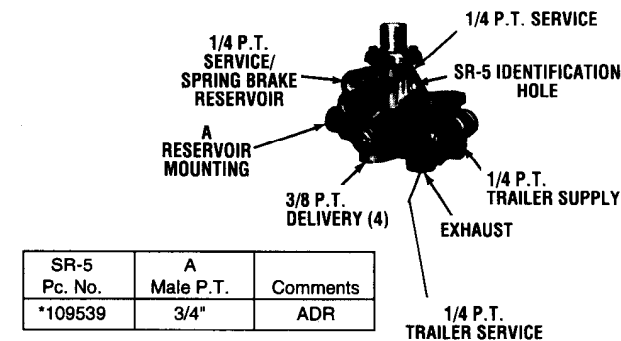
### SR-3 Trailer Spring Brake Valve

106834 SR3 SPECIAL



### SR-5 Trailer Spring Brake Valve

- Maintenance Kit 109015
- VMRS 13-010-048



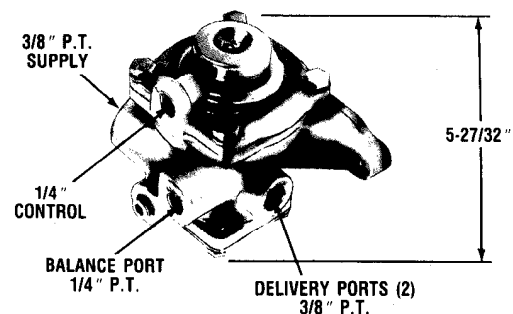
SR-5 Pc. No.	A Male P.T.	Comments
*109539	3/4"	ADR

### R-7 Modulating Valve

- Available Remanufactured Exchange
- Maintenance Kit 283861

VMRS 13-010-009

R-7 Basic Pc. No.	Spring Brake Release Pressure P.S.I.
103081	95



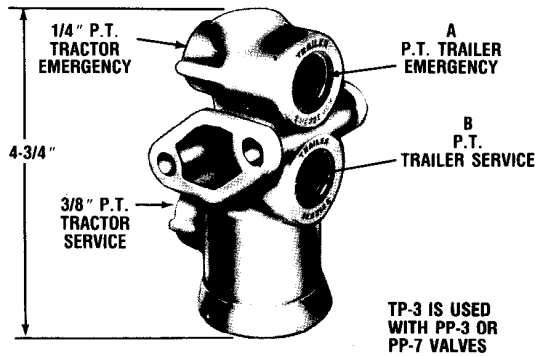
# Barry Stoodley Pty Ltd

## TRACTOR PROTECTION VALVES

### TP-3 Tractor Protection Valve

- Available Remanufactured Exchange
- Maintenance Kit 280858

VMRS 13-010-016



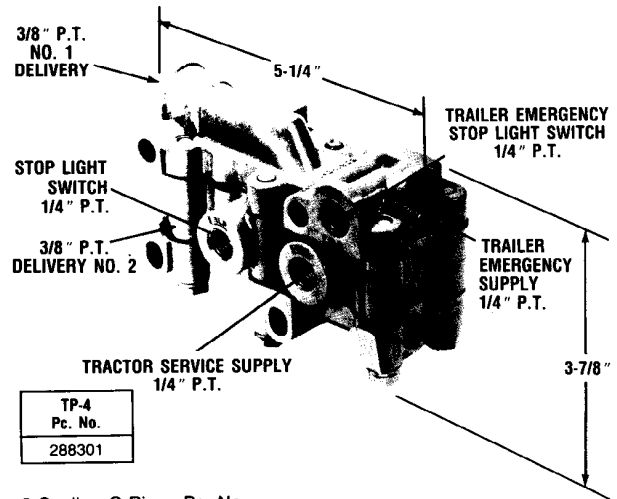
TP-3 Pc. No.	A P.T.	B P.T.
279000	1/2"	1/2"
279692	3/8"	3/8"

### TP-4 Tractor Protection Valve

Formerly VM-1 Control Valve Manifold

- Available Remanufactured Exchange
- Maintenance Kit 283863

VMRS 13-010-114



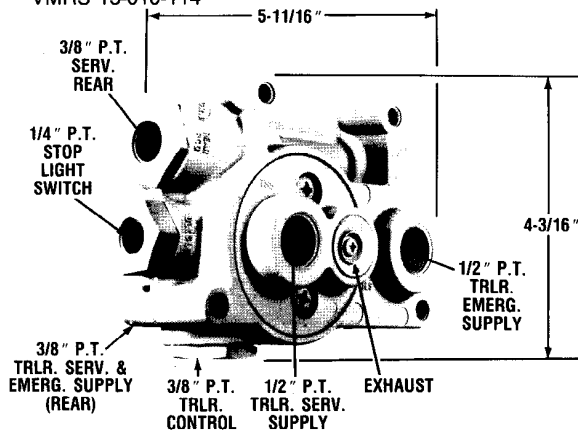
3 Sealing O-Rings Pc. No. 212268 Included with Valve

### TP-5 Tractor Protection Valve

Formerly VM-2 Control Valve Manifold

- Available Remanufactured Exchange
- Maintenance Kit 289061

VMRS 13-010-114



TP-5 PC. NO.
288605
* 289253